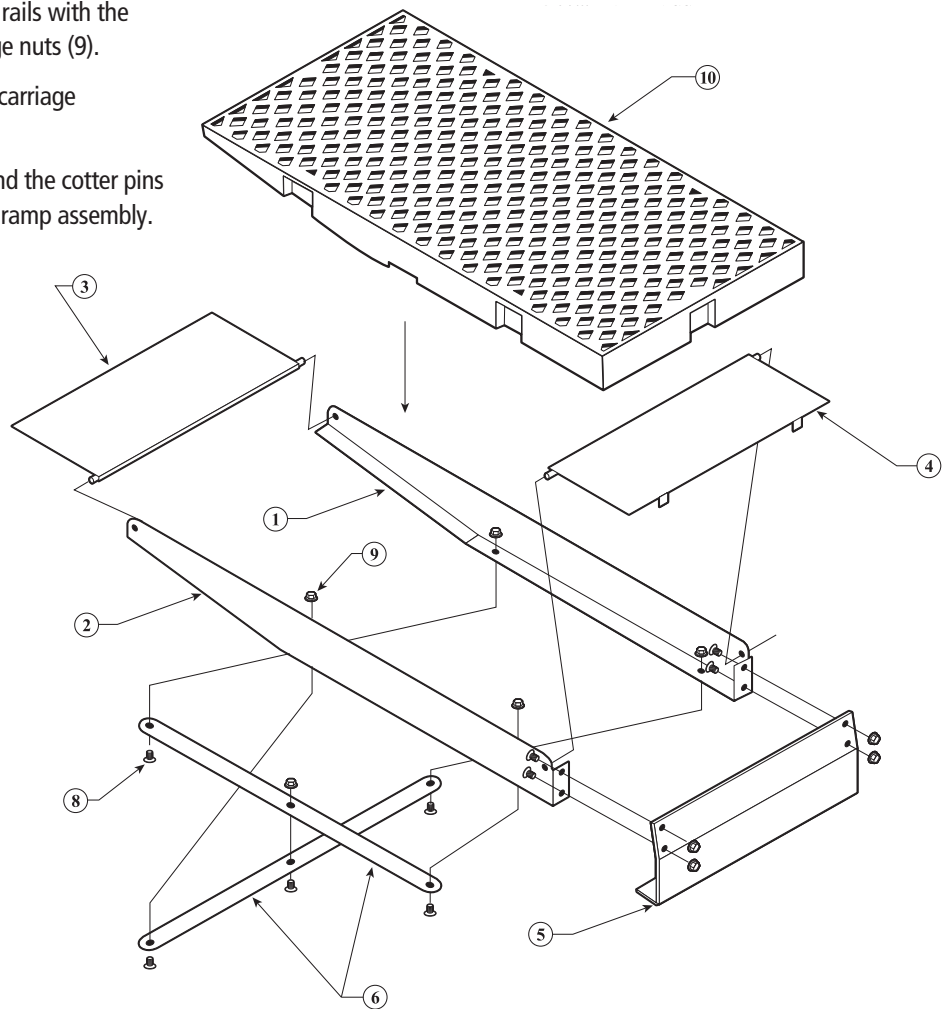


PIG Steel Loading Ramp With Non-Slip Poly Grate

Instructions – Assembly of 8 3/4" Ramp (PAK603)

- Step 1** Insert the floating plate (3) and the front hook (4) into the right rail (2).
- Step 2** Attach with the provided cotter pins.
NOTE: Cotter pins are not shown in drawings.
- Step 3** Place the left rail (1) on the other end of the floating plate and front hook.
Repeat step 2.
- Step 4** Attach ramp leg (5) to the left and right rails with the provided 3/8" carriage bolts (8) and flange nuts (9).
- Step 5** Align the plates (6) and fasten with 3/8" carriage bolts and flange nuts.
- Step 6** Make sure all bolts and nuts are tight and the cotter pins are in place. Place the grate (10) on the ramp assembly.



Item #	QTY	Part #	Description
(1)	1	600199-6	Left Rail
(2)	1	600199-5	Right Rail
(3)	1	600199A	Floating Plate Assembly
(4)	1	600199C	Front Hook Assembly
(5)	1	600199-4	Ramp Leg
(6)	2	600199-2	The Plate
(7)	4	F1901	Cotter Pin
(8)	9	F1468	3/8" – 16UNC Carriage Bolt
(9)	9	F1421	3/8" – 16UNC Flange Nut
(10)	1	70348	4" Non Slip Grate



New Pig

One Pork Avenue
Tipton, PA 16684-0304

newpig.com

North America: **1-800-468-4647**

Europe: **+31 (0)76 596 92 50**

China: **+86-21-400 921 5178**

PIG, PIG logo are registered trademarks in USA and other countries. See tm.newpig.com

UK: **0800 919 900**

Outside North America: **+1-814-684-0101**

502427 / 351769