

# Wall-Mount Bracket for PIG Rapid Response DrainBlocker Drain Cover

## Instructions

### Step 1 — Mount bracket to solid surface

Choose the location where you will hang the Wall-Mount Bracket for the PIG Rapid Response DrainBlocker Drain Cover. Make sure that the location is free from obstructions and the mounting surface is solid and level.

### Step 2 — Position bracket

The wall-mount bracket should be positioned so that the DrainBlocker Drain Cover tube is at eye level.

**NOTE:** If mounting the PLR604, two brackets should be used to support the extra weight and size. Position one bracket near the top and the other near the bottom.

### Step 3 — Attach fasteners

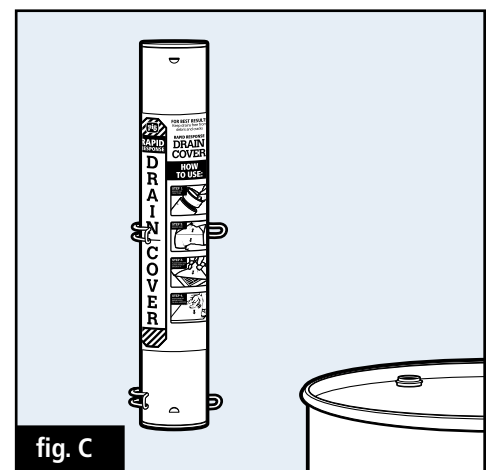
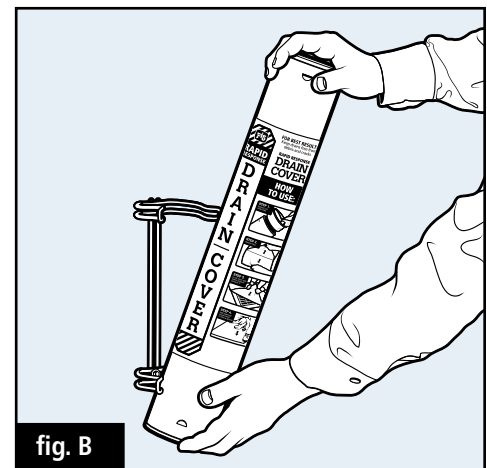
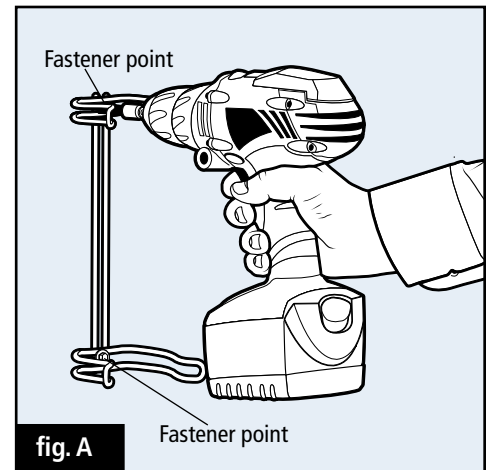
Choose low-profile fasteners (not included) that are appropriate for the mounting surface and that will fit as flush as possible with the bracket. Insert the fasteners in the two points indicated (fig. A).

### Step 4 — Insert tube

Hold the Rapid Response DrainBlocker tube with the label facing outward and insert into the bracket starting at the bottom (fig. B). The two spring-loaded clamps will hold the tube securely (fig. C).

### Step 5 — Remove tube

Remove the tube from the wall-mount bracket by pulling gently straight out. The two spring-loaded clamps will easily release the tube.



**New Pig**

One Pork Avenue  
Tipton, PA 16684-0304

[newpig.com](http://newpig.com)

North America: 1-800-468-4647

Europe: +31 (0)76 596 92 50

PIG, PIG logo are registered trademarks in USA and other countries. See [tm.newpig.com](http://tm.newpig.com)

UK: 0800 919 900

Outside North America: +1-814-684-0101

165892 / 350442